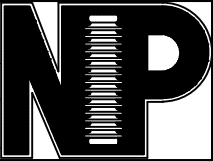
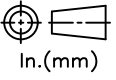
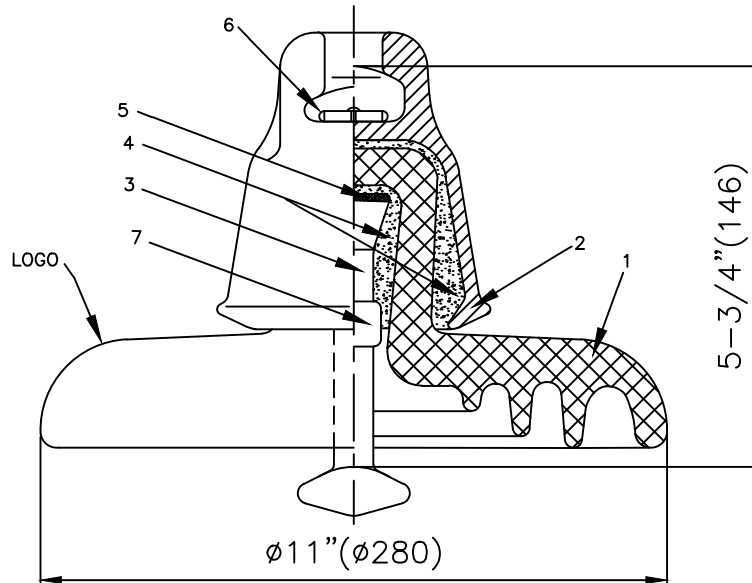


RELEASE HISTORY				 In.(mm)	PART# 232528Z-6001
a	DRAWING/DESIGN CREATED Rev.0	14.05.2019 KN			DRAWING NUMBER NPZ528RB
b	DRAWING REDRAWN Rev.1	03.06.2021 RVS			TITLE-SUSPENSION TYPE INSULATOR W/ZINC SLEEVE
REF. ANSI TECHNICAL REFERENCE # 52-8H					



TECHNICAL CHARACTERISTICS

MECHANICAL RATINGS

COMBINED M&E STRENGTH, lbs(kN)	40000 (178)
TENSION PROOF TEST lbs(kN)	20000 (88.9)
MINIMUM MECHANICAL IMPACT STRENGTH, in-lbs	90

ELECTRICAL RATINGS

LOW FREQUENCY DRY FLASHOVER VOLTAGE, kV	80
LOW FREQUENCY WET FLASHOVER VOLTAGE, kV	50
CRITICAL IMPULSE FLASHOVER VOLTAGE, POSITIVE, kV	125
CRITICAL IMPULSE FLASHOVER VOLTAGE, NEGATIVE, kV	130
LOW FREQUENCY PUNCTURE VOLTAGE, kV	110

RADIO INFLUENCE VOLTAGE RATINGS

LOW FREQUENCY TEST VOLTAGE, kV	10
MAX. RIV AT 1000 kHz, μV	50

PHYSICAL CHARACTERISTICS

SHELL MATERIAL	PORCELAIN
CONNECTION TYPE	B&S TYPE K
LEAKAGE DISTANCE, in (mm)	11 (279)
UNIT SPACING, in (mm)	5.75 (146)
SHELL DIAMETER, in (mm)	11 (279)
NET WEIGHT, lbs (kg)	17.4 (7.9)
GLAZE COLOR	ROYAL BLUE
APPLICABLE STANDARD: ANSI C29.1 & C29.2B	

S.No.	DESCRIPTION	MATERIAL	QTY.
7	Corrosion Sleeve	Zinc	1
6	Split Pin	Stainless Steel	1
5	Cushion	Asphalt Felt	1
4	Cement	Portland	-
3	Pin	Forged Steel, hot deep galv	1
2	Cap	Malleable Cast Iron, hot deep galv	1
1	Porcelain	C130	1

REF. NPZ528RB	DWG. TYPE SALES	DWN. RVS	APP.
---------------	-----------------	----------	------