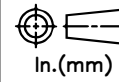


RELEASE HISTORY

a	DRAWING/DESIGN CREATED Rev.0	26.02.2016 HF
b	DRAWING REDRAWN Rev.1	25.03.2021 RVS



PART# 231001-7001

DRAWING NUMBER 4117AX

TITLE STATION POST INSULATOR-95kV BIL

REF. TECHNICAL REFERENCE TR-202

TECHNICAL CHARACTERISTICS

MECHANICAL RATINGS

CANTILEVER STRENGTH, lbs (kN) (Upright & Underhung)	2000 (8.9)
TENSION STRENGTH, lbs (kN)	7000 (31)
TORSION STRENGTH in-lbs (kN*M)	6000 (0.7)
COMPRESSION STRENGTH lbs (kN)	10000 (44.5)

ELECTRICAL RATINGS

IMPULSE WITHSTAND VOLTAGE, kV	95
CRITICAL IMPULSE FLASHOVER VOLTAGE, POSITIVE, kV	105
WET POWER FREQUENCY WITHSTAND VOLTAGE, kV	30

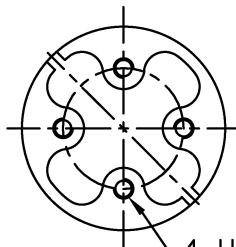
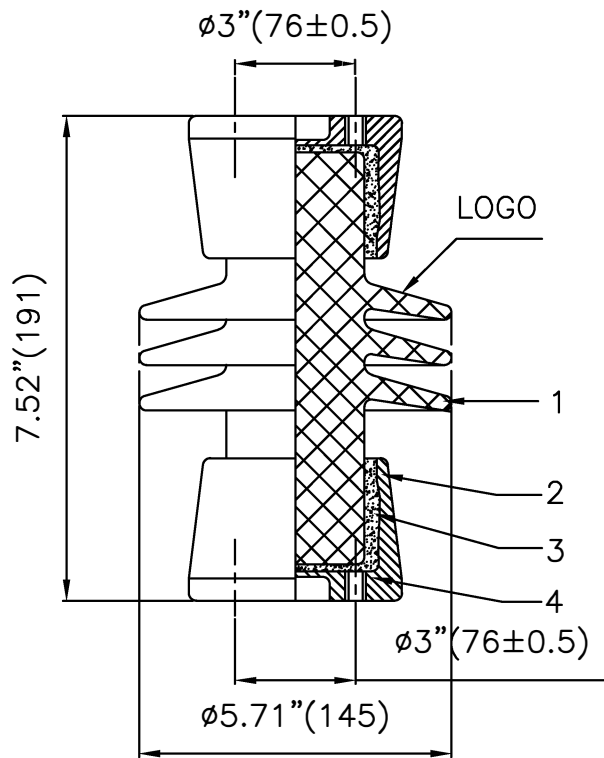
RADIO INFLUENCE VOLTAGE RATINGS

LOW FREQUENCY TEST VOLTAGE, kV	5
MAX. RIV AT 1000 kHz, μV	50

PHYSICAL CHARACTERISTICS

MINIMUM LEAKAGE DISTANCE, in (mm)	10.5 (267)
UNIT HEIGHT, in (mm)	7.5 (191)
NET WEIGHT, lbs (kg)	13.5 (6.14)
GLAZE COLOR	Light Gray

APPLICABLE STANDARD:ANSI:C29.9 & IEC:60168,273



4 Holes 1/2"-13UNC (0.015" Oversize)
X 0.59" deep on 3" PCD

4	Cushion	2--4	Asphalt felt
3	Cement		-
2	Cap	2	M.C.I.Hot-galvanized
1	Porcelain	1	Grey Glazed
S.No.	DESCRIPTION	QUANTITY	REMARKS

REF. 4117AX

DWG.TYPE SALES

DWN. RVS

APP.