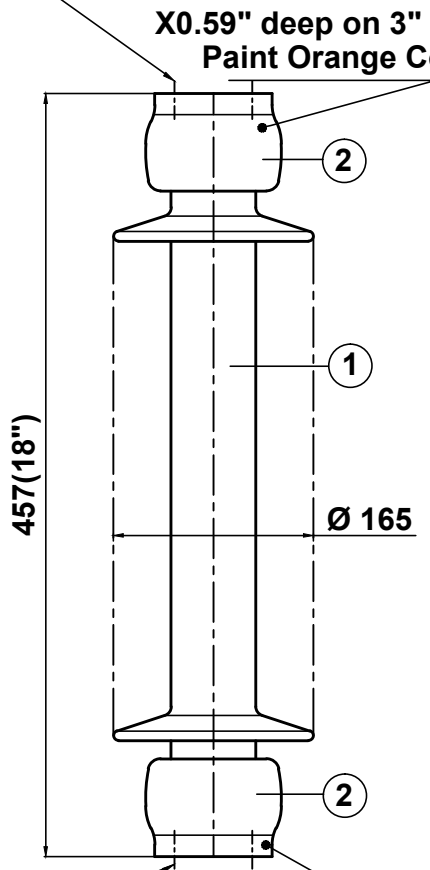


TECHNICAL PARTICULARS

4 Holes 1/2"-13UNC(0.015"Oversize)



X0.59" deep on 3" PCD
Paint Orange Colour

457(18")

Ø 165

Paint Orange Colour

4 Holes 1/2"-13UNC(0.015"Oversize)

X0.59" deep on 3" PCD

MECHANICAL VALUES

Bending strength (Upright & Underhung)	lb	2000	(8.9kN)
Compression strength	lb	15000	(67kN)
Tensile strength	lb	12000	(54kN)
Torsional strength	lb in	10000	(1.1kNm)

ELECTRICAL VALUES

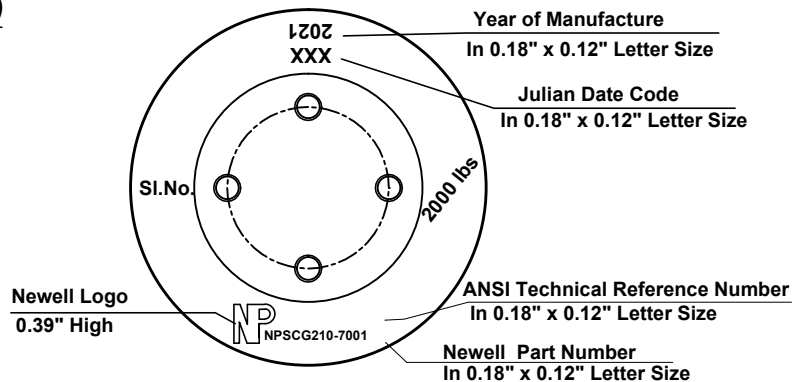
Wet power frequency withstand voltage	kV	80
Lightning impulse withstand voltage	kVp	200
Min. creepage distance (37 inches)	mm	940
Net Weight (approx)	kgs	16
Shed profile generally IEC:60815		

RADIO INFLUANCE VOLTAGE DATA

Test voltage to ground	kV	22
Max. RIV at 1000 kHz	µv	100

NOTE: -

Test & tolerance as per ANSI : C 29.1 & C29.9



Marking at top shed

2	Caps	SGI	Hot dip galv .
1	Insulator body	Porcelain	Special Glazed
S.No.	DESCRIPTION	MATERIAL	REMARKS

Title 34.5 kV SOLIDCORE POST INSULATOR (BIL - 200 kVp)	Scale N.T.S. 	Matl. See table
Ref. NPSCG210-7001	Drawn	Kirti Nambiar
	Checked	S.K.Dixit
	Approved	N.V.Ramkumar
All dimensions are in mm.(inches)	Date	28-10-2021
NEWELL PSN LLC		Rev. 0