

TECHNICAL PARTICULARS

MECHANICAL VALUES

Bending strength (Upright & Underhung)	lb 4000	(17.8kN)
Compression strength	lb 30000	(134kN)
Tensile strength	lb 25000	(111kN)
Torsional strength	in.lb 20000	(2.26kNm)

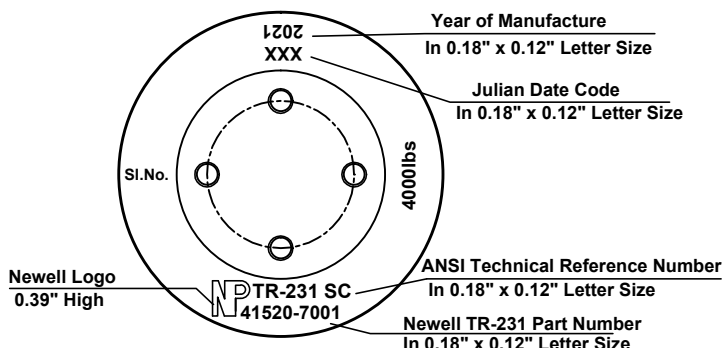
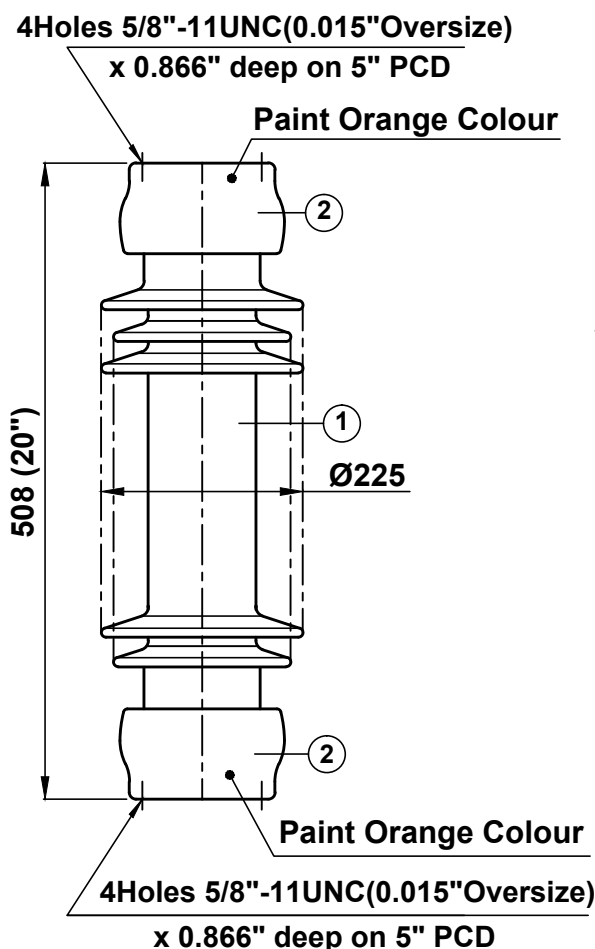
ELECTRICAL VALUES

Wet power frequency withstand voltage	kV	80
Lightning impulse withstand voltage	kVp	200
Min. creepage distance (37 inches)	mm	940
Net Weight (approx.)	kgs	30
Shed profile as per IEC : 60815		

RADIO INFLUENCE VOLTAGE DATA

Test voltage to ground	kV	22
Max. RIV at 1000 kHz	µv	100

NOTE: -
Test & tolerance as per ANSI - C29.1 & C29.9



Marking at top shed

2	Caps	SGI	Hot dip galv .
1	Insulator body	Porcelain	Special Glazed
S.No.	DESCRIPTION	MATERIAL	REMARKS

Title STATION POST INSULATOR (BIL - 200 kVp)		Scale N.T.S. 	Matl. See table
Ref. NPSCG231-7001		Drawn Kirti Nambiar	Checked S.K.Dixit
All dimensions are in mm (inches)		Approved N.V.Ramkumar	Date 25-12-2021
NEWELL PSN LLC		Drg. No.	
		Rev. 0	