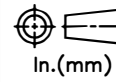


RELEASE HISTORY

a	DRAWING/DESIGN CREATED Rev.0	26.09.2011 KN
b	DRAWING REDRAWN Rev.1	25.04.2021 RVS



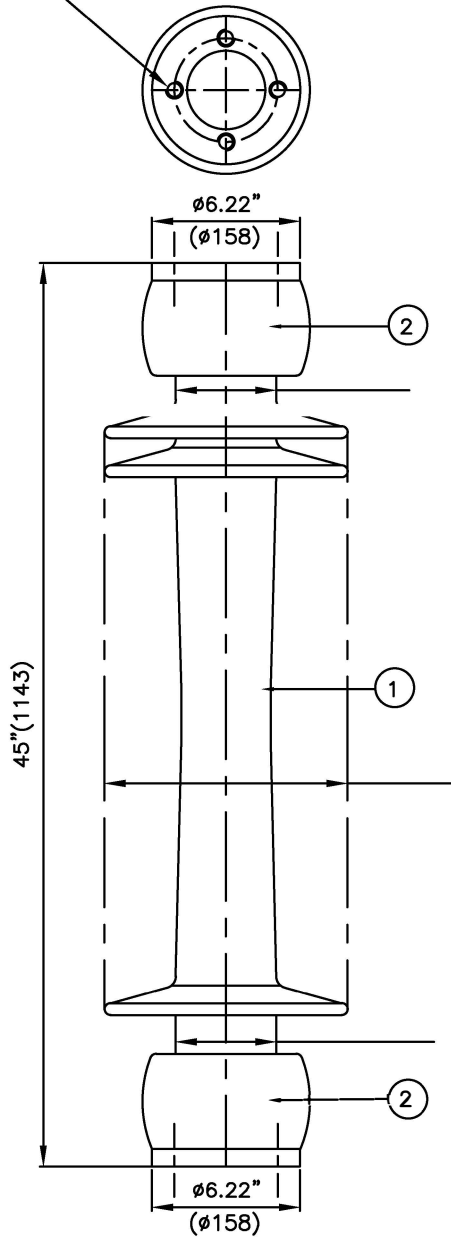
PART#NPSCG287-7001

DRAWING NUMBER

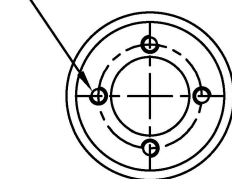
TITLE STATION POST INSULATOR-550kV BIL

REF. TECHNICAL REFERENCE TR-287 *Caps Painted Orange*

4 Holes 5/8"-11UNC (0.015" Oversize)
X 0.866" deep on 5" PCD



4 Holes 5/8"-11UNC (0.015" Oversize)
X 0.866" deep on 5" PCD



TECHNICAL CHARACTERISTICS

MECHANICAL RATINGS

CANTILEVER STRENGTH, lbs (kN) (Upright & Underhung)	2600 (11.56)
TENSION STRENGTH, lbs (kN)	25000 (111)
TORSION STRENGTH in-lbs (kN*M)	90000 (10.2)
COMPRESSION STRENGTH lbs (kN)	75000 (334)

ELECTRICAL RATINGS

IMPULSE WITHSTAND VOLTAGE, kV	550
CRITICAL IMPULSE FLASHOVER VOLTAGE, POSITIVE, kV	610
WET POWER FREQUENCY WITHSTAND VOLTAGE, kV	230

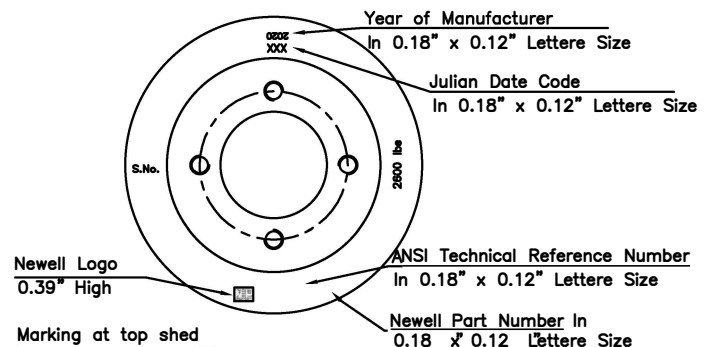
RADIO INFLUENCE VOLTAGE RATINGS

LOW FREQUENCY TEST VOLTAGE, kV	73
MAX. RIV AT 1000 kHz, μV	200

PHYSICAL CHARACTERISTICS

MINIMUM LEAKAGE DISTANCE, in (mm)	99 (2515)
UNIT HEIGHT, in (mm)	45 (1143)
NET WEIGHT, lbs (kg)	143 (65)
GLAZE COLOR	Semi-Conductive Gray

APPLICABLE STANDARD: ANSI : C29.9 & C29.1



2	Caps	MCI/SGI	Hot dip.galv.
1	Insulator body	Porcelain	Grey Glazed
S.No.	DESCRIPTION	MATERIAL	REMARKS

DWG.TYPE SALES	DWN. RVS	APP.
----------------	----------	------