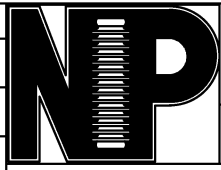
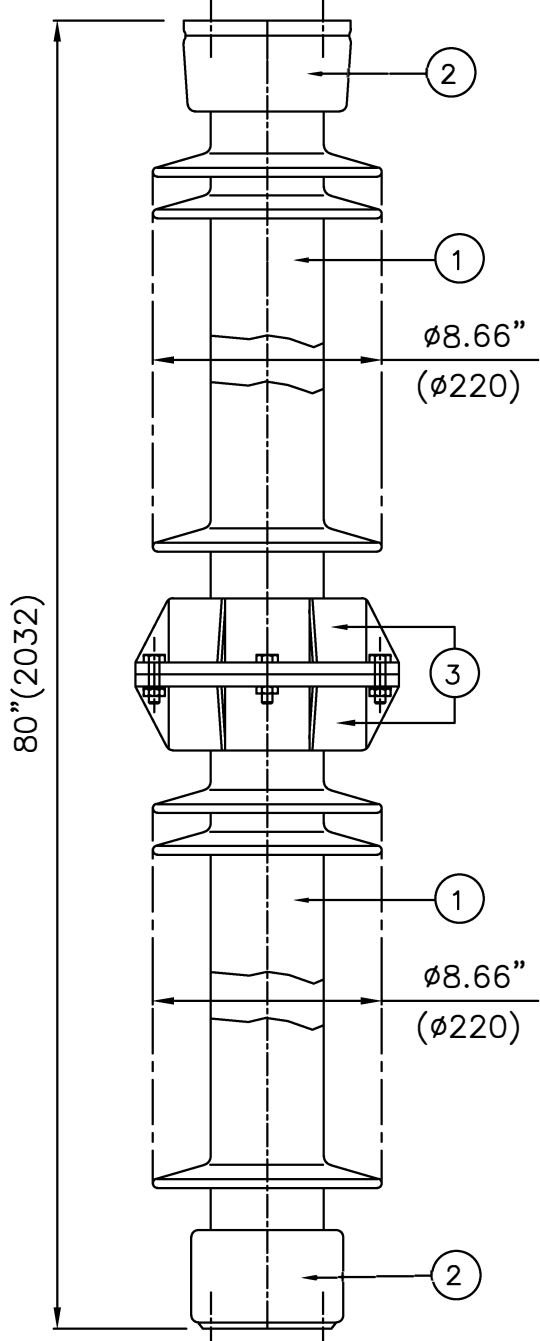


RELEASE HISTORY		
a	DRAWING/DESIGN CREATED Rev.0	10.07.1991 DKG
b	DRAWING REDRAWN Rev.1	27.04.2021 RVS



 In.(mm)	PART# NPSCG308-7001
	DRAWING NUMBER 214-C-323
TITLE STATION POST INSULATOR-900kV BIL	
REF. TECHNICAL REFERENCE TR-308 *Caps Painted Orange*	

4 Holes 5/8"-11UNC (0.015" Oversize)  
X 0.866 deep on 5" PCD



4 Holes 5/8"-11UNC (0.015" Oversize)  
X 0.866" deep on 5" PCD

**TECHNICAL CHARACTERISTICS**

**MECHANICAL RATINGS**

CANTILEVER STRENGTH, lbs (kN) (Upright & Underhung)	1450 (6.45)
TENSION STRENGTH, lbs (kN)	25000 (111)
TORSION STRENGTH in-lbs (kN*M)	90000 (10.2)
COMPRESSION STRENGTH lbs (kN)	90000 (400)

**ELECTRICAL RATINGS**

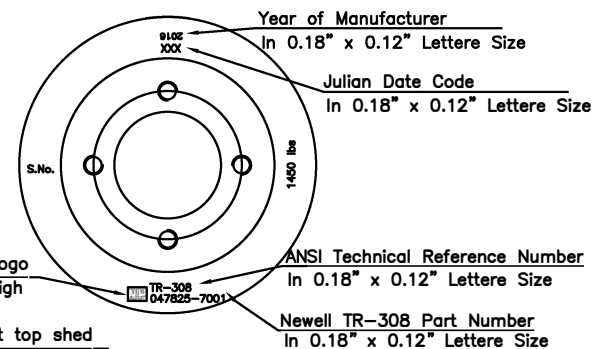
IMPULSE WITHSTAND VOLTAGE, kV	900
CRITICAL IMPULSE FLASHOVER VOLTAGE, POSITIVE, kV	1010
WET POWER FREQUENCY WITHSTAND VOLTAGE, kV	385

**RADIO INFLUENCE VOLTAGE RATINGS**

LOW FREQUENCY TEST VOLTAGE, kV	146
MAX. RIV AT 1000 kHz, μV	500

**PHYSICAL CHARACTERISTICS**

MINIMUM LEAKAGE DISTANCE, in (mm)	165 (4195)
UNIT HEIGHT, in (mm)	80 (2032)
NET WEIGHT, lbs (kg)	273 (124)
GLAZE COLOR	Light Gray
APPLICABLE STANDARD:ANSI:C29.9 & IEC:60168,273 & IS:2544, 5350	



2 & 3	Caps & Flange	MCI/SGI	Hot dip.galv.
1	Insulator body	Al.Porcelain	Grey Glazed
S.No.	DESCRIPTION	MATERIAL	REMARKS

REF.214-C-323	DWG.TYPE SALES	DWN. RVS	APP.
---------------	----------------	----------	------