

RELEASE HISTORY		
a	DRAWING/DESIGN CREATED Rev.0	08.01.2009 KN
b	DRAWING REDRAWN Rev.1	13.05.2021 RVS



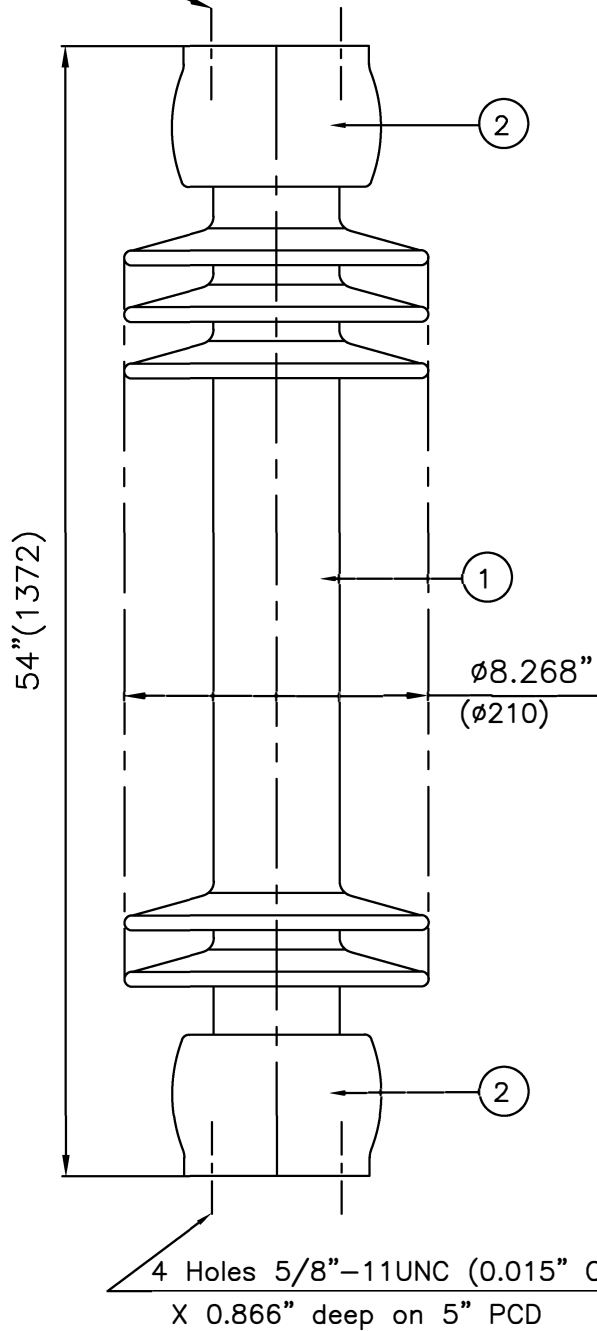
In.(mm)
PART#NPSCG625-7001
 DRAWING NUMBER 214-C-194

TITLE STATION POST INSULATOR-650kV BIL

REF. TECHNICAL REFERENCE TR-288XL-132" LEAK *Caps Painted Orange*

4 Holes 5/8"-11UNC (0.015" Oversize)
X 0.866 deep on 5" PCD

TECHNICAL CHARACTERISTICS



MECHANICAL RATINGS

CANTILEVER STRENGTH, lbs (kN) (Upright & Underhung)	1450 (6.45)
TENSION STRENGTH, lbs (kN)	20000 (89)
TORSION STRENGTH in-lbs (kN*M)	60000 (6.8)
COMPRESSION STRENGTH lbs (kN)	60000 (267)

ELECTRICAL RATINGS

IMPULSE WITHSTAND VOLTAGE, kV	650
CRITICAL IMPULSE FLASHOVER VOLTAGE, POSITIVE, kV	710
WET POWER FREQUENCY WITHSTAND VOLTAGE, kV	275

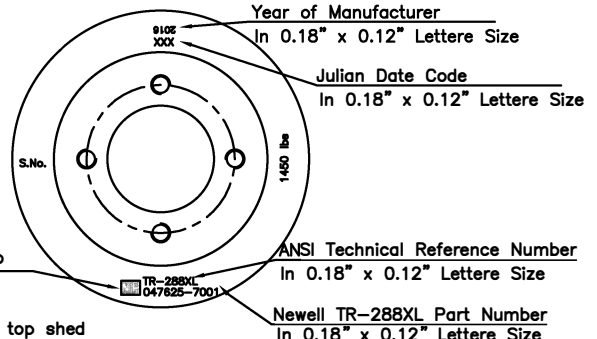
RADIO INFLUENCE VOLTAGE RATINGS

LOW FREQUENCY TEST VOLTAGE, kV	88
MAX. RIV AT 1000 kHz, μV	200

PHYSICAL CHARACTERISTICS

MINIMUM LEAKAGE DISTANCE, in (mm)	132 (3353)
UNIT HEIGHT, in (mm)	54 (1372)
NET WEIGHT, lbs (kg)	150 (68)
GLAZE COLOR	Light Gray

APPLICABLE STANDARD: ANSI: C29.9 & 29.1
 IEC:60168,273 & IS:2544, 5350



2	Caps	MCI/SGI	Hot dip.galv.
1	Insulator body	Porcelain	Grey Glazed
S.No.	DESCRIPTION	MATERIAL	REMARKS

REF.214-C-194	DWG.TYPE SALES	DWN. RVS	APP.
---------------	----------------	----------	------